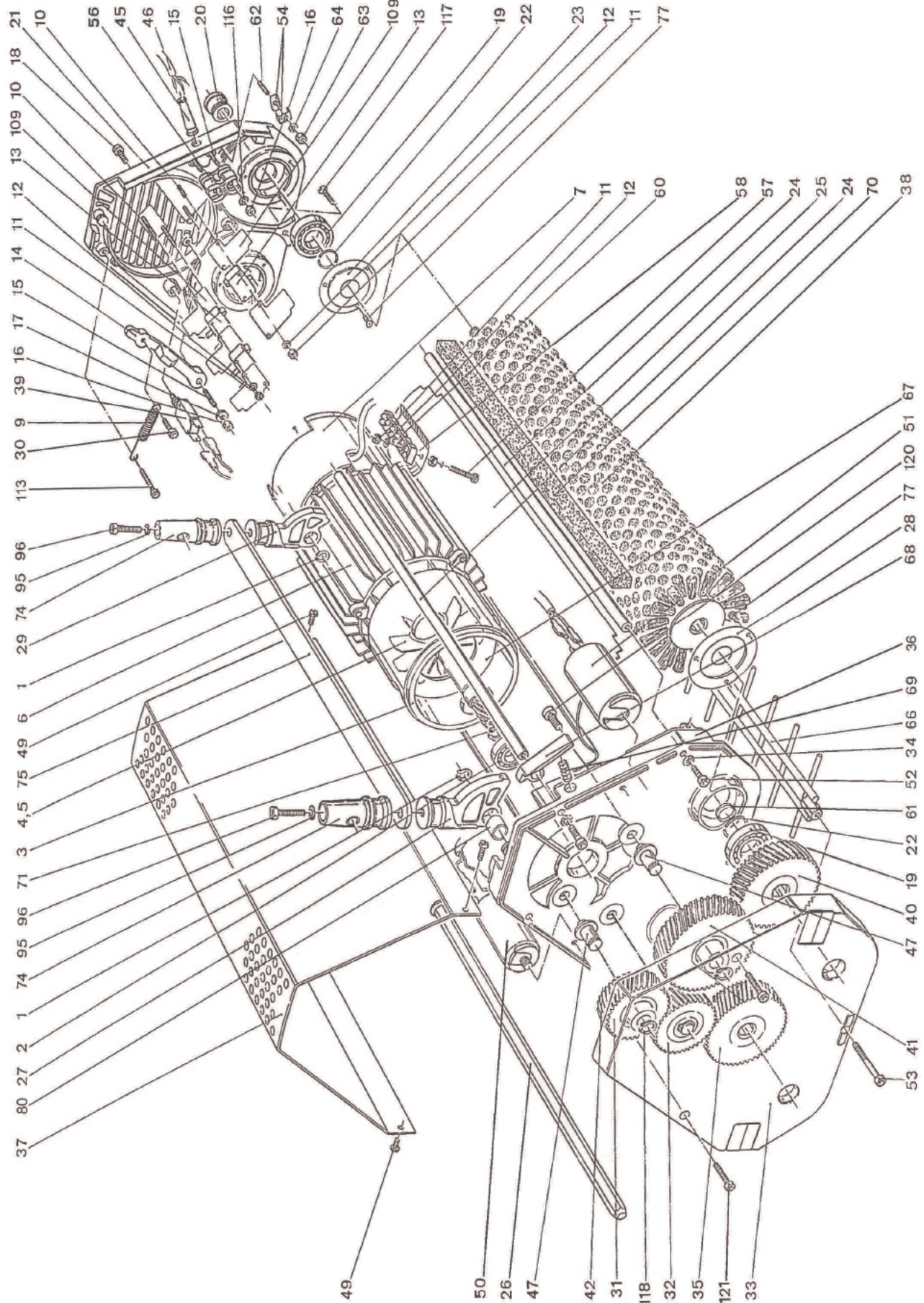
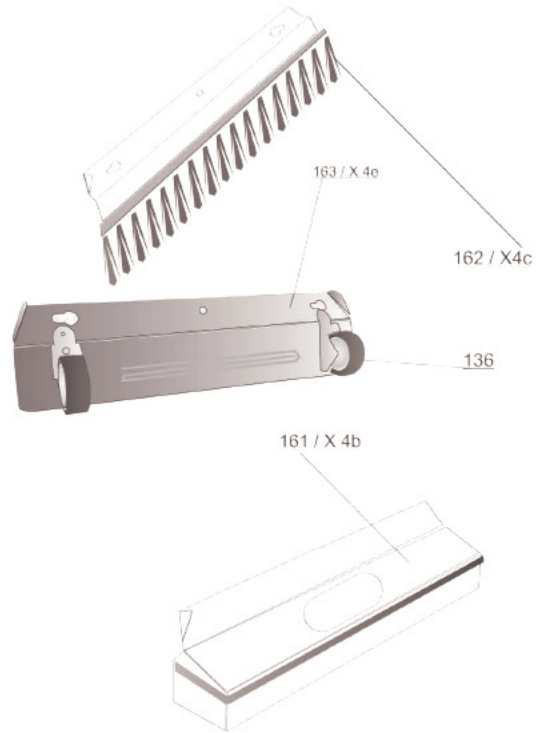
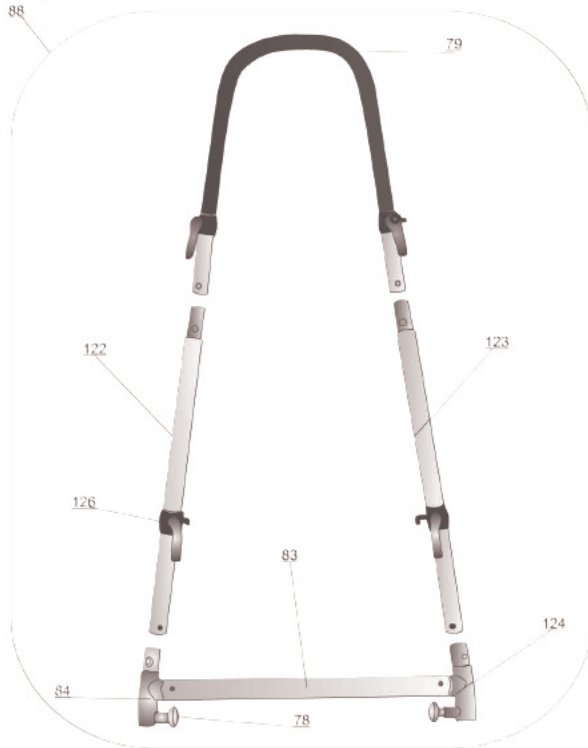


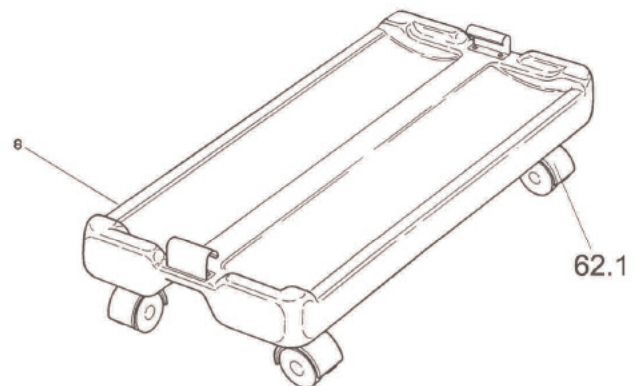
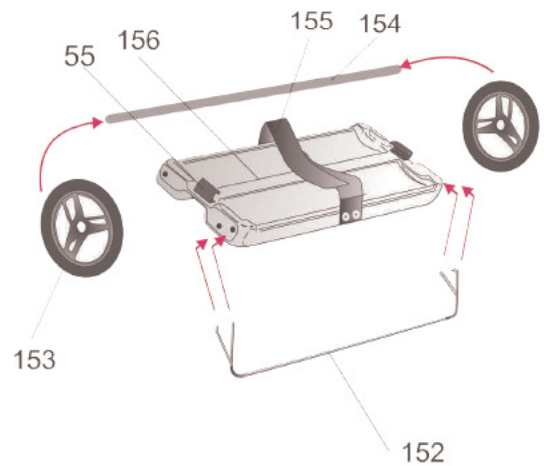
DriStar 15"/20", Whittaker LOMAC 15"/20", Millicare 15"/20", XLerator 15"/20"
Machine Schematics - Enlarged View www.XLeratorParts.com



DriStar 15"/20", Whittaker LOMAC 15"/20", Millicare 15"/20", XLerator 15"/20"
 Transport Trolley www.XLeratorParts.com



X 4d New version



E 8 Old version

DriStar 15"/20", Whittaker LOMAC 15"/20", Millicare 15"/20", XLERator 15"/20"
 Spare Parts List www.XleratorParts.com

No.	Description	No.	Description
E 1	Snapring A12	E 54	Clamp strip
E 2	Ball bearing 6002 2 Rs	E 55	Clip trolley incl. 2 blind rivets
E 3	Distancepiece G	E 56	Cable clamp
E 4	Split pin	E 57	Cylinder head screw
E 5	Ventilator	E 58	Wire fixing plate
E 6	Motor RBF 0,18/2-7PR	E 60	Terminal EKL1
E 7	Distancepiece E	E 61	V-Ring
E 8	Trolley cpl. old version	E 62	Wormscrew
E 9	Extension spring	E 62.1	Wheel for trolley cpl.
E 10	Worm screw	E 63	Nut
E 11	Nut	E 64	Lock washer
E 12	Spring ring	E 66	Cableprotector
E 13	Microswitch	E 67	Blind
E 13L	Microswitch with lever	E 68	Handle stop
E 14	Switchpart	E 69	Handle stop-spring
E 15	Worm screw	E 70	Foamed plastic strip
E 16	Nut	E 71	Snapring A 15
E 17	Washer	E 74	Handle connector upper part
E 18	Screw for housing unit	E 75	Flatbar
E 19	Ball bearing 6003	E 77	Screw for protective plat
E 20	Flange	E 78	Snap-in
E 21	Housing unit E cpl.	E 79	Handle upper part
E 22	Retainingring A 17	E 80	Bearing
E 23	Protective plat	E 83	Cross bar
E 24	Motorstud	E 84	T-piece left cpl.
E 25	Brushcover	E 86	Tandem-bar TM 4
E 26	Brush axle	E 88	Handle cpl.
E 27	Handle connector lower part G	E 95	Spring ring
E 28	Protective plat	E 96	Cylinder head screw
E 29	Handle connector lower part E	E 109	Isolation plate
E 30	Screw M6x16	E 113	Cylinder head screw
E 31	Gear 48 right	E 116	Spring ring
E 32	Gear 48 left	E 117	Screw
E 33	Gearcover	E 118	Snapring A 10
E 34	Lockwasher	E 120	Screw M6x16
E 35	Gear 66 right	E 121	Cylinder head screw
E 36	Housing unit G cpl.	E 122	Handle lower part
E 37	Motor cover	E 123	Handle lower part
E 38	Brushes	E 124	T-piece right cpl.
E 39	Thermorelay	E 126	360° rotating cabelholder
E 40	Gear 66 left	E 136	Wheel for brushcover exterior cp
E 41	Gear 73 right	E 151	Nut and bolt for Renovator
E 42	Ball bearing 6000	E 152	Front upright
E 45	Grommet	E 153	Wheel, big
E 46	Cable	E 154	Axle for transport trolley
E 47	Bearingpin	E 155	Belt incl. with blind nuts
E 49	Cylinder head screw	E 156	Tray incl. clips
E 50	Run Capacitor	E 161	Renovator
E 51	Start Capacitor	E 162	Dustcover
E 52	Cylinder head screw	E 163	Dustcover with wheels
E 53	Cylinder head screw		

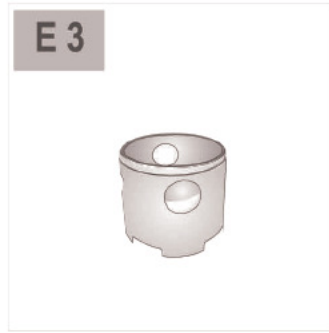
DriStar 15"/20", Whittaker LOMAC 15"/20", Millicare 15"/20", XLERator 15"/20"
 Spare Parts www.XleratorParts.com



E 1
 Snapping A 12



E 2
 Ballbearing



E 3
 Distancepiece G



E 4
 Split pin 3 x 20 A2



E 5
 Ventilator



E 6
 Motor RBF 0,18/2-7PR



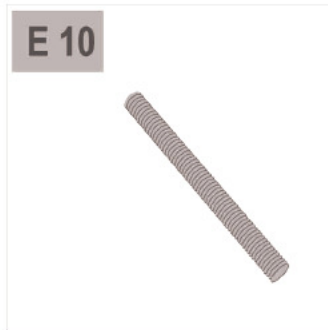
E 7
 Distancepiece E



E 8
 Trolley



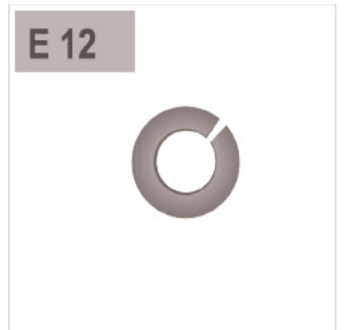
E 9
 Extension spring 10x 1,2 x 64



E 10
 Worm screw M3 x 35



E 11
 Nut M3 Ms



E 12
 Spring Ring M3



E 13_L
 Microswitch incl. lever



E 13
 Microswitch



E 14
 Switchpart cpl.

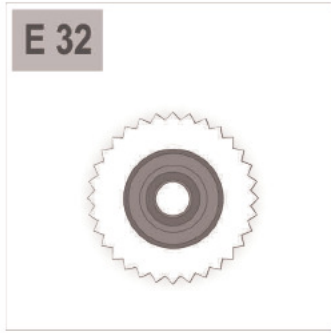


E 15
 Worm screw M5 x 25

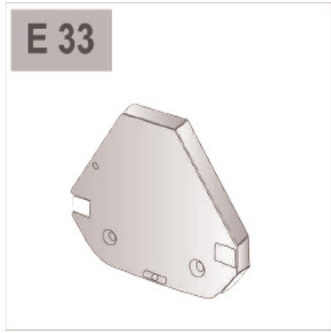
DriStar 15"/20", Whittaker LOMAC 15"/20", Millicare 15"/20", XLERator 15"/20"
 Spare Parts www.XleratorParts.com

<p>E 16</p> 	<p>E 17</p> 	<p>E 18</p> 	<p>E 19</p> 
<p>Nut M5</p>	<p>Washer M5</p>	<p>Cylinder head screw M5 x 12</p>	<p>Ballbearing</p>
<p>E 20</p> 	<p>E 21</p> 	<p>E 22</p> 	<p>E 23</p> 
<p>Flange</p>	<p>Housing unit E complete</p>	<p>Retainingring A 17</p>	<p>Protective plate</p>
<p>E 24</p> 	<p>E 25</p> 	<p>E 26</p> 	<p>E 27</p> 
<p>Motorstud</p>	<p>Brushcover</p>	<p>Brush axle</p>	<p>Handle connector lower part G</p>
<p>E 28</p> 	<p>E 29</p> 	<p>E 30</p> 	<p>E 31</p> 
<p>Protective plate</p>	<p>Handle connector lower part E</p>	<p>Srew M6 x 16</p>	<p>Gear 48 right</p>

DriStar 15"/20", Whittaker LOMAC 15"/20", Millicare 15"/20", XLERator 15"/20"
Spare Parts www.XleratorParts.com



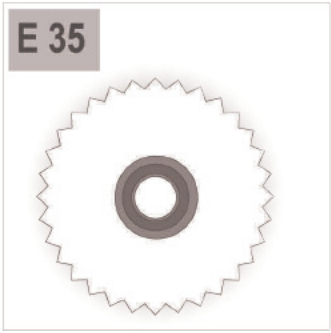
Gear 48 left



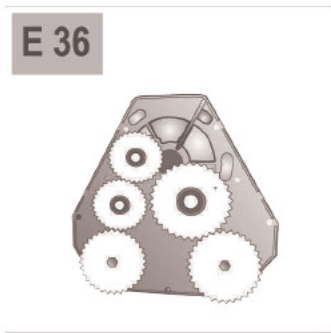
Gearcover



Lock washer M5



Gear 66 right



Housing unit G complete



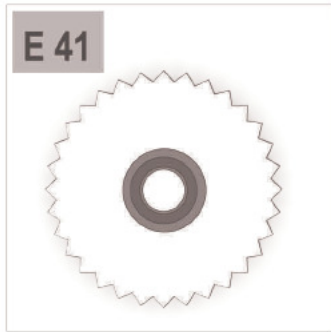
Motorcover



Thermorelay



Gear 66 left



Gear 73 right



Ballbearing



Grommet



Cable



Bearingpin



Cylinder head screw



Run Capacitor



Start Capacitor

DriStar 15"/20", Whittaker LOMAC 15"/20", Millicare 15"/20", XLerator 15"/20"
 Spare Parts www.XLeratorParts.com

E 52



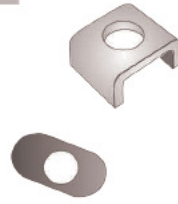
Cylinder head screw M5 x 12

E 53



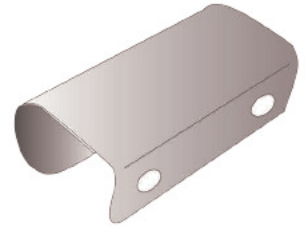
Screw M5 x 45

E 54



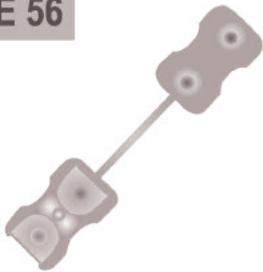
Clamp strip

E 55



Fixing spring for trolley

E 56



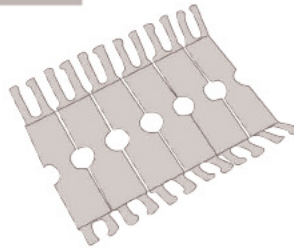
Cable clamp

E 57



Cylinder head screw M3 x 16

E 58



Wire fixing plate

E 60



Terminal

E 61



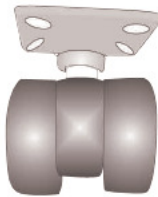
V-ring

E 62



Worm screw

E 62.1



Wheel for trolley

E 63



Nut M4

E 64



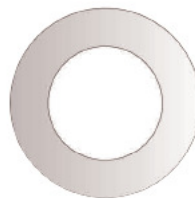
Lock washer M4 A2

E 66



Cableprotector

E 67



Blind

E 68



Handle stop

DriStar 15"/20", Whittaker LOMAC 15"/20", Millicare 15"/20", XLerator 15"/20"
 Spare Parts www.XLeratorParts.com



E 69
 Handle stop - spring



E 70
 Foamed plastic strip



E 71
 Snapring A 15



E 74
 Handle connector upper part



E 75
 Flatbar



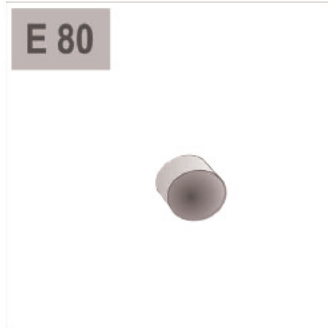
E 77
 Screw M3 x 5



E 78
 Snap - in



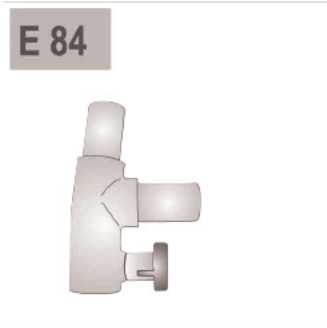
E 79
 Handle, upper part



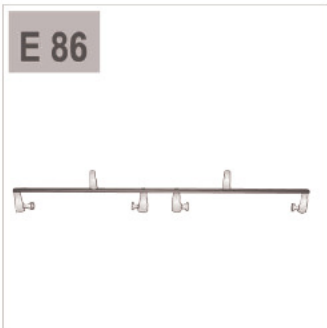
E 80
 Bearing



E 83
 Cross bar



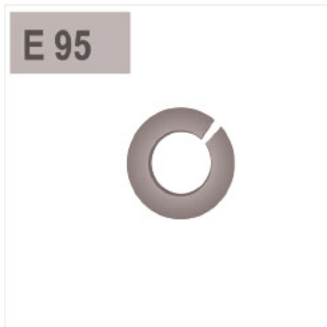
E 84
 T-piece left



E 86
 Tandem bar



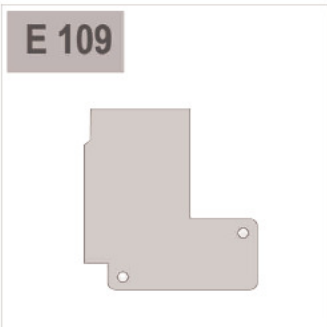
E 88
 Handle complete



E 95
 Spring Ring



E 96
 Screw M6 x 30



E 109
 Isolating plate

DriStar 15"/20", Whittaker LOMAC 15"/20", Millicare 15"/20", XLerator 15"/20"
 Spare Parts www.XLeratorParts.com



113
 Cylinder head screw M6 x 16



116
 Spring Ring



E 117
 Screw M5 x 12



E 118
 Snapring A 10



E 120
 Screw M6 x 16



E 121
 Cylinder head screw M5 x 12



E 122
 Handle, lower part left



E 123
 Handle, lower part right



E 124
 T-piece right



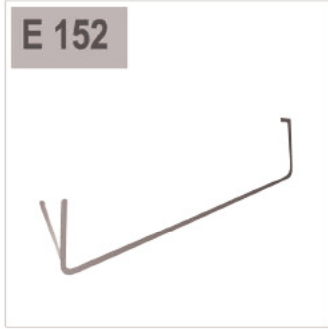
E 126
 Cable holder slewable



E 136
 Wheel for brush cover



E 151
 Bolt for Renovator



E 152
 Front upright



E 153
 Wheel Trolley



154
 Axel



155
 Belt

156



Tray incl. clips and belt