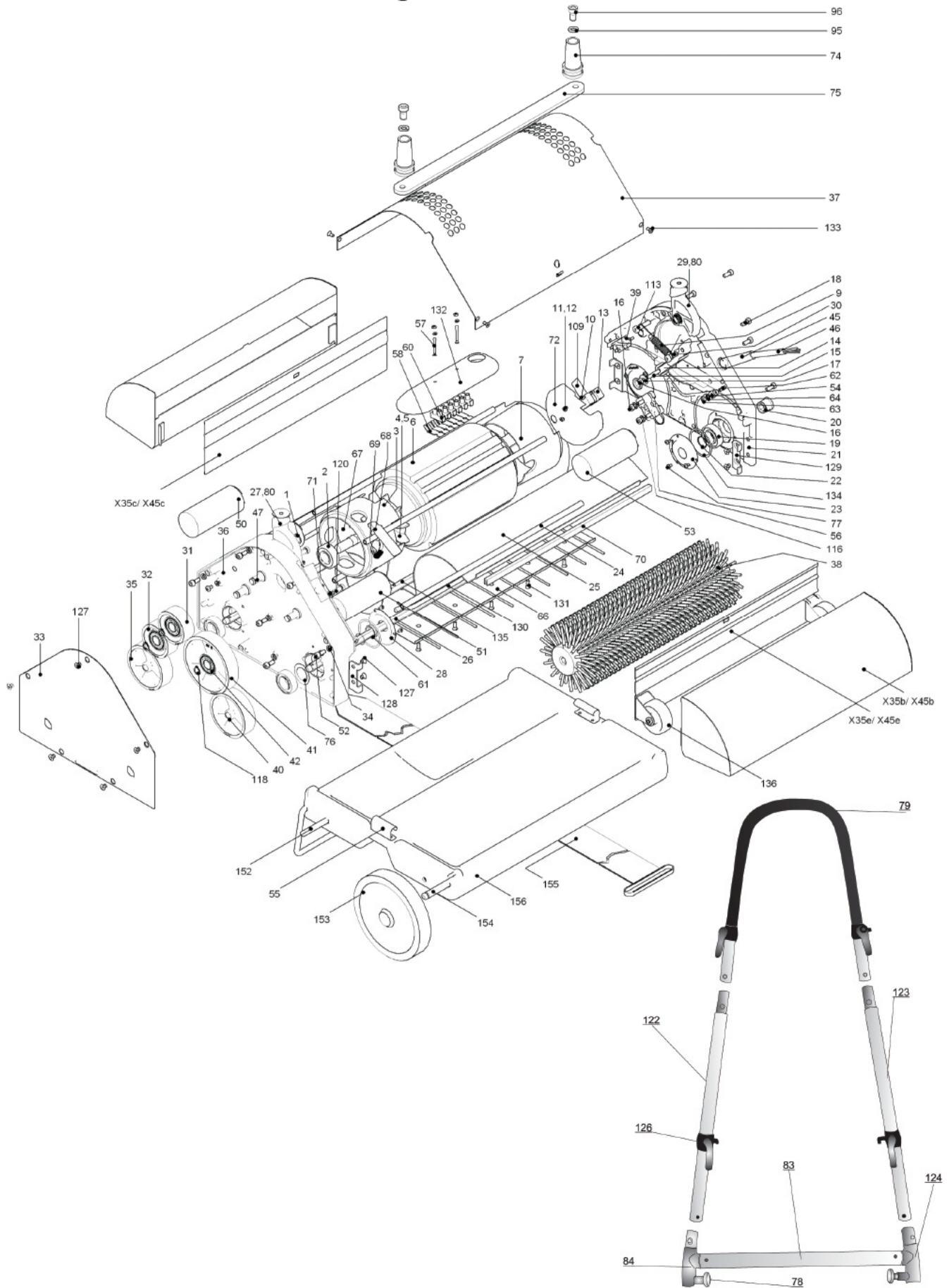


DriStar & XLerator 14", BrushPro 17" • DriStar & XLerator 18", BrushPro 20"
 Machine Schematics - Enlarged View

www.XLeratorParts.com



DriStar & XLerator 14", BrushPro 17" • DriStar & XLerator 18", BrushPro 20"
 Spare Parts List *BrushPro Part No.'s may not match those below. www.XLeratorParts.com

No.	Description	No.	Description
G 1	Snapping A12	G 60	Terminal EKL1
G 2	Ball bearing 6002	G 61	V-Ring
G 3	Distancepiece G	G 62	Wormscrew
G 4	Split pin	G 63	Nut
G 5	Ventilator	G 64	Lockwasher
G 6	Motor	G 66	Cableprotector
G 7	Distancepiece E	G 67	Blind
G 9	Extension spring	G 68	Handle stop
G 10	Worm screw	G 69	Handle stop-spring
G 11	Nut	G 70	Foamed plastic strip
G 12	Spring ring	G 71	Snapping A 15
G 13	Microswitch	G 72	Switchcover
G 14	Switchpart cpl.	G 74	Handle connector upper part
G 15	Worm screw	G 75	Flatbar
G 16	Nut	G 76	Washer disc
G 17	Washer	G 77	Screw for protective plate
G 18	Screw for housing unit	G 78	Snap-in
G 19	Ball bearing 6003	G 79	Handle upper part
G 20	Flange	G 80	Bearing
G 21	Housing unit E cpl.	G 83	Cross bar
G 22	Retainingring A 17	G 84	T-piece left cpl.
G 23	Protective plate	G 86	Tandem bar
G 24	Motorstud	G 88	Handle cpl
G 25	Brushcover, interior	G 95	Spring ring
G 26	Brush axle	G 96	Cylinder head screw
G 27	Handle connector lower part G	G 109	Isolation plate
G 28	Protective plate	G 113	Cylinder head screw
G 29	Handle connector lower part E	G 116	Spring ring
G 30	Screw M6x16	G 118	Snapping A 10
G 31	Gear 48 right	G 120	Screw M6x16
G 32	Gear 48 left	G 122	Handle lower part
G 33	Gearcover	G 123	Handle lower part
G 34	Lockwasher	G 124	T-piece right cpl.
G 35	Gear 66 right	G 126	360° rotating cableholder
G 36	Housing unit G cpl.	G 127	Countersunk head screw M5x6
G 37	Motor cover	G 128	Holder left
G 38	Brushes	G 129	Holder right
G 39	Thermorelay	G 130	Throw-in accelerator
G 40	Gear 66 left	G 131	Countersunk head screw M4x12
G 41	Gear 85 right	G 132	Protective cover
G 42	Ball bearing 6000	G 133	Countersunk head screw M4x8
G 45	Grommet	G 134	O - Ring
G 46	Cable	G 135	Hexagonbar cableprotector
G 47	Bearingpin	G 136	Wheel for brushcover exterior cpl
G 49	Cylinder head screw M4x8	G 152	Front upright
G 50	Run Capacitor	G 153	Wheel, big
G 51	Start Capacitor	G 154	Axle for transport trolley
G 52	Cylinder head screw	G 155	Fixing belt for trolley, cpl.
G 53	Starting control unit	G 156	Tray incl. clips
G 54	Clamp strip	G 157	Fixation buckle cpl.
G 55	Clip trolley incl. 2 blind rivets	X 35b/45b	Renovator
G 56	Cable clamp	X 35c/45c	Dustcover
G 57	Cylinder head screw M3x25	X 35e/45e	Dustcover with wheels
G 58	Wire fixing plate		

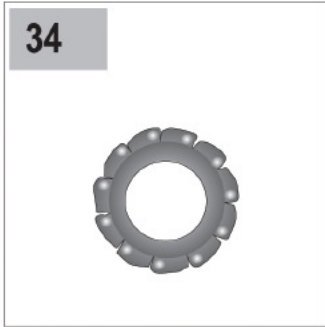
DriStar & XLerator 14", BrushPro 17" • DriStar & XLerator 18", BrushPro 20"
Spare Parts *BrushPro Part No.'s may not match those below. www.XLeratorParts.com

<p>1</p> 	<p>2</p> 	<p>3 -35 / 3 -45</p> 	<p>4</p> 
<p>Snapping A 12</p>	<p>Ballbearing</p>	<p>Distancepiece G</p>	<p>Split pin 3 x 20 A2</p>
<p>5</p> 	<p>6 -35 / 6 -45</p> 	<p>7 -35 / 7 -45</p> 	<p>9</p> 
<p>Ventilator</p>	<p>Motor RBF 0,18/2-PR</p>	<p>Distancepiece E</p>	<p>Extension spring 10x 1,2 x 64</p>
<p>10</p> 	<p>11</p> 	<p>12</p> 	<p>13</p> 
<p>worm screw M3 x 40</p>	<p>Nut M3 Ms</p>	<p>Spring Ring M3</p>	<p>Microswitch</p>
<p>14</p> 	<p>15</p> 	<p>16</p> 	<p>17</p> 
<p>Switchpart cpl.</p>	<p>worm screw M5 x 25</p>	<p>Nut M5</p>	<p>Washer M5</p>

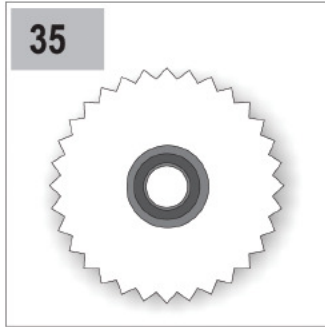
DriStar & XLerator 14", BrushPro 17" • DriStar & XLerator 18", BrushPro 20"
 Spare Parts *BrushPro Part No.'s may not match those below. www.XLeratorParts.com

<p>18</p> 	<p>19</p> 	<p>20</p> 	<p>21</p> 
<p>Cylinder head screw M5 x 12</p>	<p>Ballbearing</p>	<p>Flange</p>	<p>Housing unit E complet</p>
<p>22</p> 	<p>23</p> 	<p>24-35/45</p> 	<p>25-35/45</p> 
<p>Snapping A 17</p>	<p>Protective plat</p>	<p>Motorstud</p>	<p>Brushcover interior</p>
<p>26-35/45</p> 	<p>27</p> 	<p>28</p> 	<p>29</p> 
<p>Brush axle</p>	<p>Handle connector lower part G</p>	<p>Protective plat</p>	<p>Handle connector lower part E</p>
<p>30</p> 	<p>31</p> 	<p>32</p> 	<p>33</p> 
<p>Cylinder head screw M6 x 16</p>	<p>Gear 48 right</p>	<p>Gear 48 left</p>	<p>Gearcover</p>

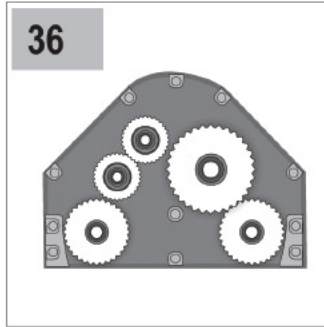
DriStar & XLerator 14", BrushPro 17" • DriStar & XLerator 18", BrushPro 20"
 Spare Parts *BrushPro Part No.'s may not match those below. www.XLeratorParts.com



34
Lock washer M5



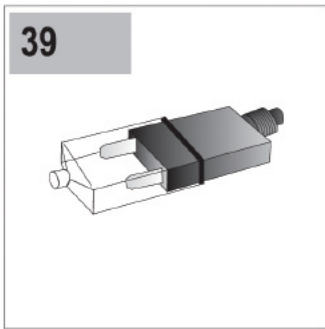
35
Gear 66 right



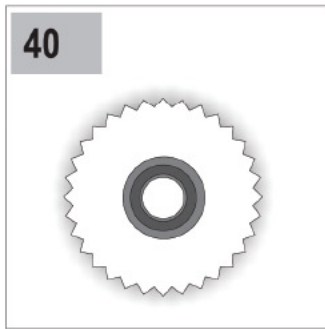
36
Housing unit G cpl.



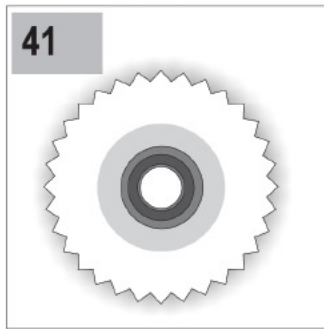
37-35/45
motor cover



39
Thermorelay



40
Gear 66 left



41
Gear 85 right



42
Ballbearing



45
Grommet



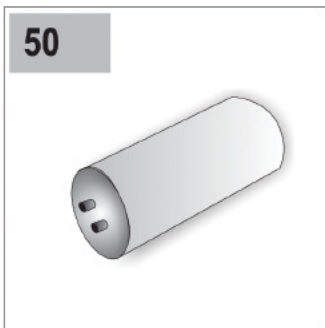
46
Cable



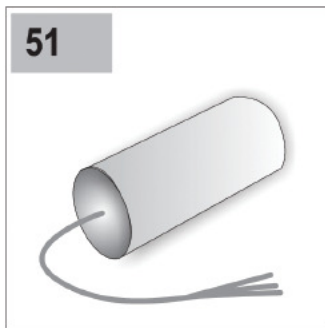
47
Bearingpin



49
Cylinder head screw M4 x 8



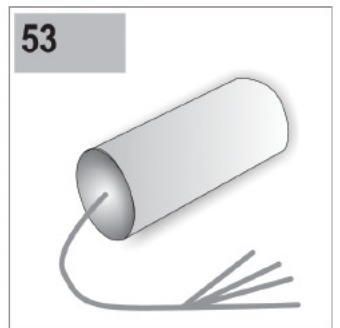
50
Run capacitor



51
Start capacitor

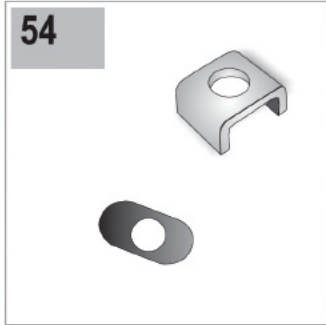


52
Cylinder head screw M5 x 12

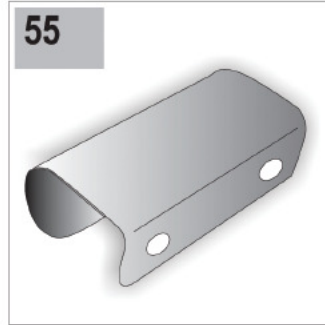


53
Starting control unit

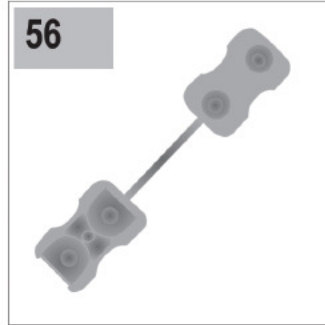
DriStar & XLerator 14", BrushPro 17" • DriStar & XLerator 18", BrushPro 20"
Spare Parts *BrushPro Part No.'s may not match those below. www.XLeratorParts.com



Clamp strip



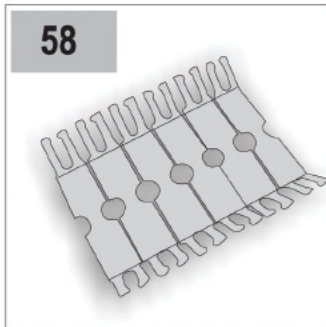
Fixing spring for trolley



Cable clamp



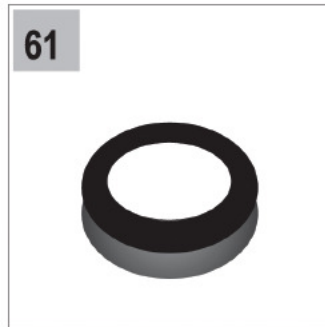
Cylinder head screw M3 x 25



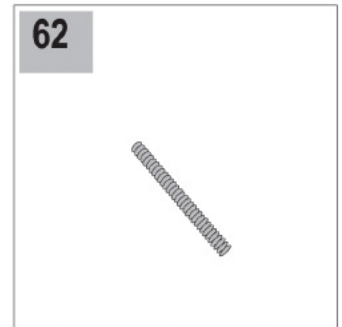
wire fixing plate



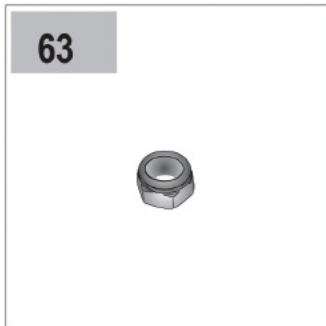
terminal



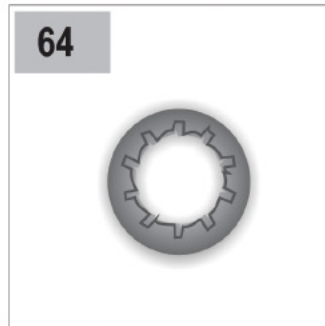
V-ring



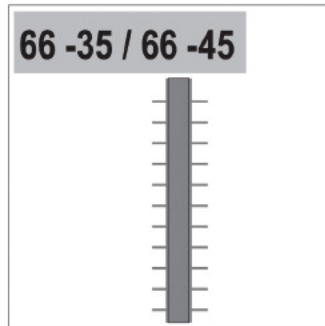
Worm screw



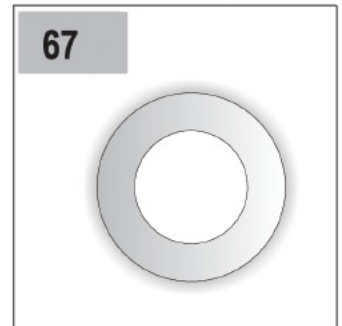
Nut M4



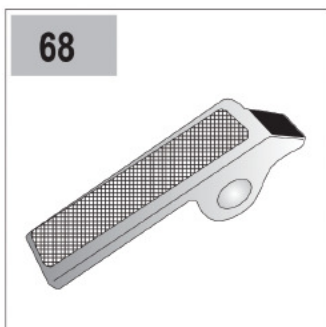
Lock washer M4 A2



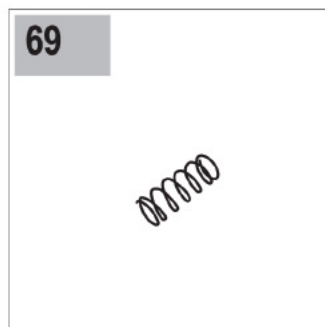
Cableprotector



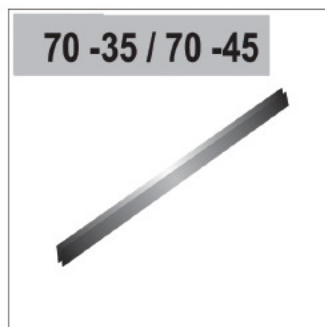
Blind



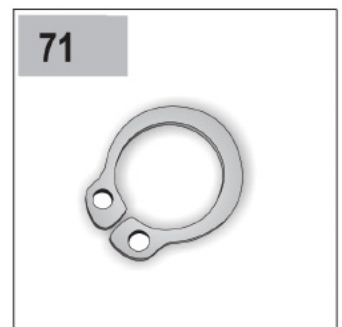
Handle stop



Handle stop - spring

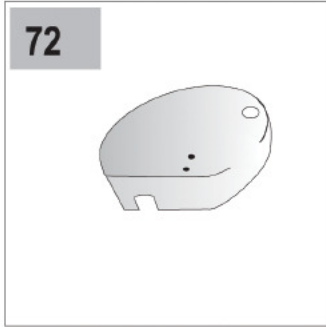


Foamed plastic strip



Snapping A 15

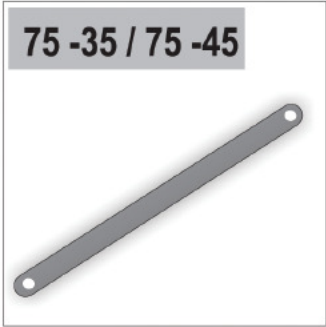
DriStar & XLerator 14", BrushPro 17" • DriStar & XLerator 18", BrushPro 20"
Spare Parts *BrushPro Part No.'s may not match those below. www.XLeratorParts.com



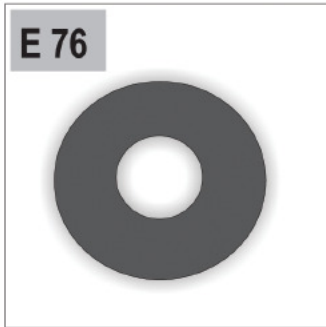
Swichcover



Handle connector upper part



Flatbar



Washer



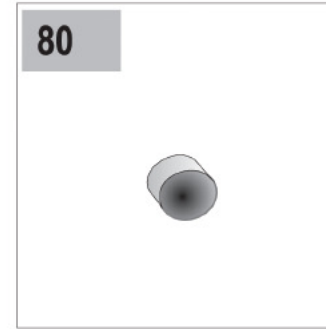
Screw M3 x 5



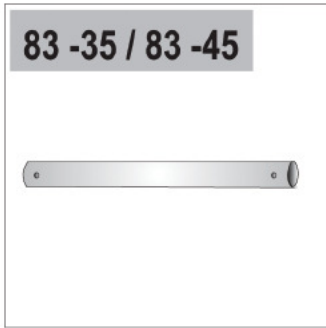
Snap - in



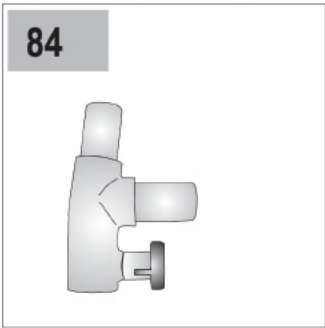
Handle, upper part



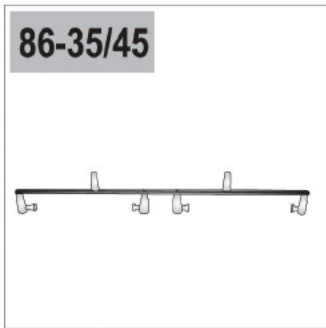
Bearing



Cross bar



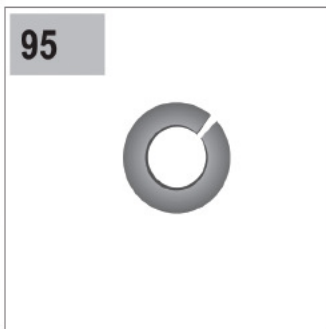
T-piece left



Tandem bar



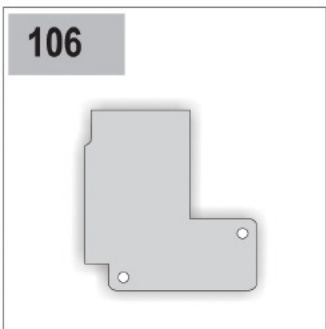
Handle complete



Spring Ring M6



Screw M6 x 30

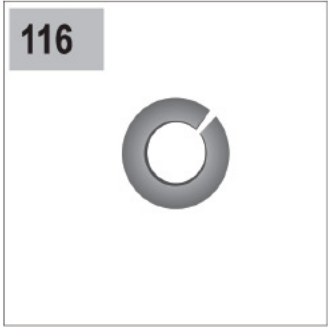


Isolating plate



Cylinder head screw M6 x 16

DriStar & XLerator 14", BrushPro 17" • DriStar & XLerator 18", BrushPro 20"
Spare Parts *BrushPro Part No.'s may not match those below. www.XLeratorParts.com



116

Spring Ring



118

Snapping A 10



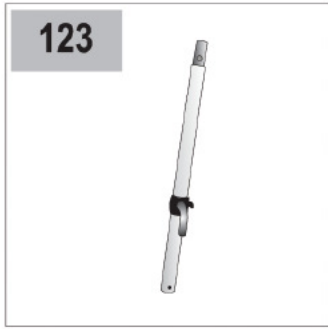
120

Screw M6 x 16



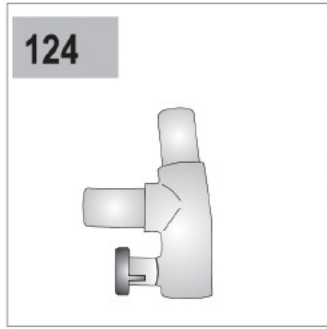
122

Handle, lower part left



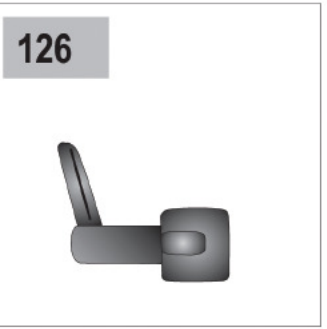
123

Handle, lower part right



124

T-piece right



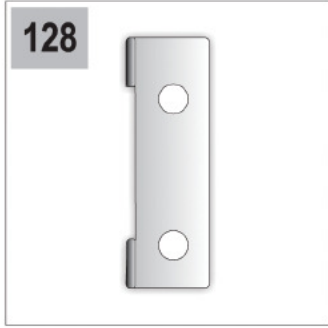
126

Cable holder slewable



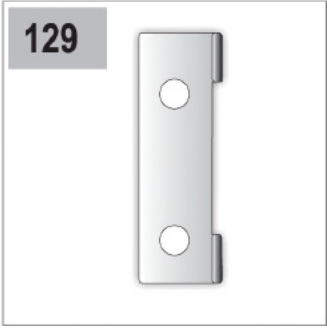
127

Countersunk-head screw M5 x 6



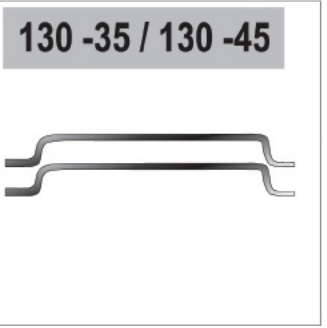
128

Holder left



129

Holder right



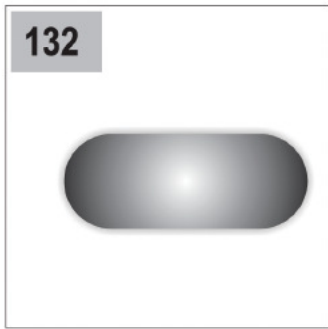
130 -35 / 130 -45

Throw-in accelerator



131

Countersunk-head screw M4 x 12



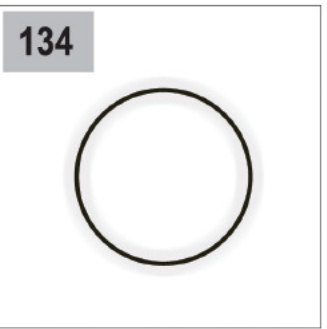
132

Protective cove



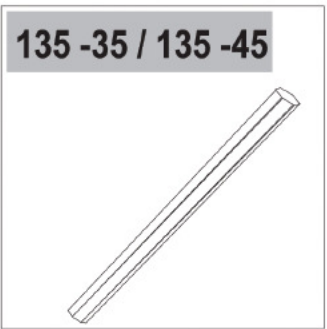
133

Countersunk-head screw M4 x 8



134

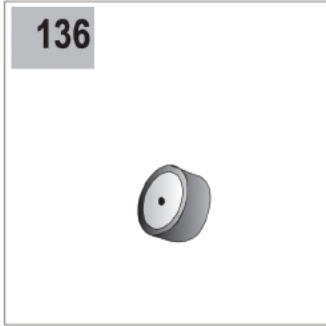
O-ring



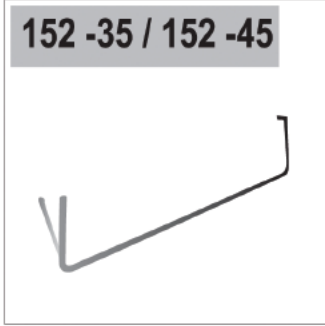
135 -35 / 135 -45

Hexabonbar

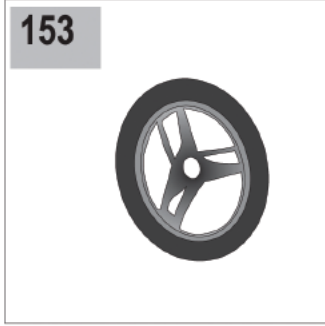
DriStar & XLerator 14", BrushPro 17" • DriStar & XLerator 18", BrushPro 20"
Spare Parts *BrushPro Part No.'s may not match those below. www.XLeratorParts.com



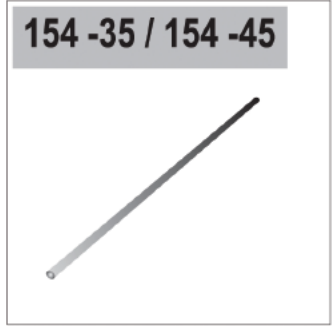
Wheel for brushcover



Front upright



Wheel Trolley



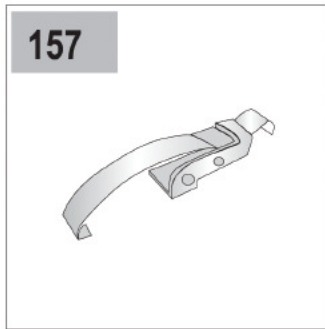
Axel



Belt



Tray incl. clips and belt



Fixation buckle cpl.